

 = N.....  


**No**  
N001-N200  
**Sparepart No**  
1500001001 - 1500001200

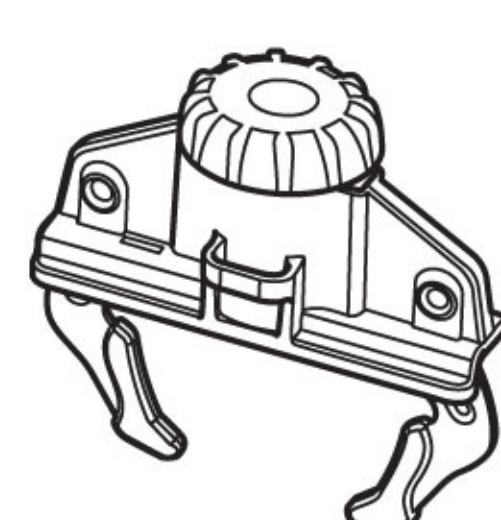
+



**No**  
N001-N200  
**Sparepart No**  
1500000001 - 1500000200


**10744**

4x



34407

2x



10720