

THULE Spirit 820

633/603003 (Thule GmbH no.) 3068-820-162 (Thule AB no.) Anthracite

636/603010 (Thule GmbH no.) 3068-820-362 (Thule AB no.) Silver metallic

650/603027 (Thule GmbH no.) 3068-820-962 (Thule AB no.) Deep black glossy

659/603034 (Thule GmbH no.) 3068-820-462 (Thule AB no.) Pepita glossy

5 *års garanti*
years warranty
Jahre Garantie
ans de garantie

Technical approval:

TÜV/GS, City-crash approved.

Materials:

Special UV-protected and impact resistant box material.

Colour:

633 - lid/base: anthracite

636 - lid: silver metallic,
base: anthracite

650 - lid: deep black glossy,
base anthracite

659 - lid: pepita glossy,
base: anthracite

Method of manufacture:

Vacuum forming

Assembly:

Power-Grip mounting system ,
allows mounting on bars max. 80
mm wide and 35 mm high.

Distance roof bars 575-975 mm.

Dimensions/Weight:

Length: 2295 mm

Width: 825 mm

Height: 360 mm


Volume: 480 litres

Weight: 26 Kg

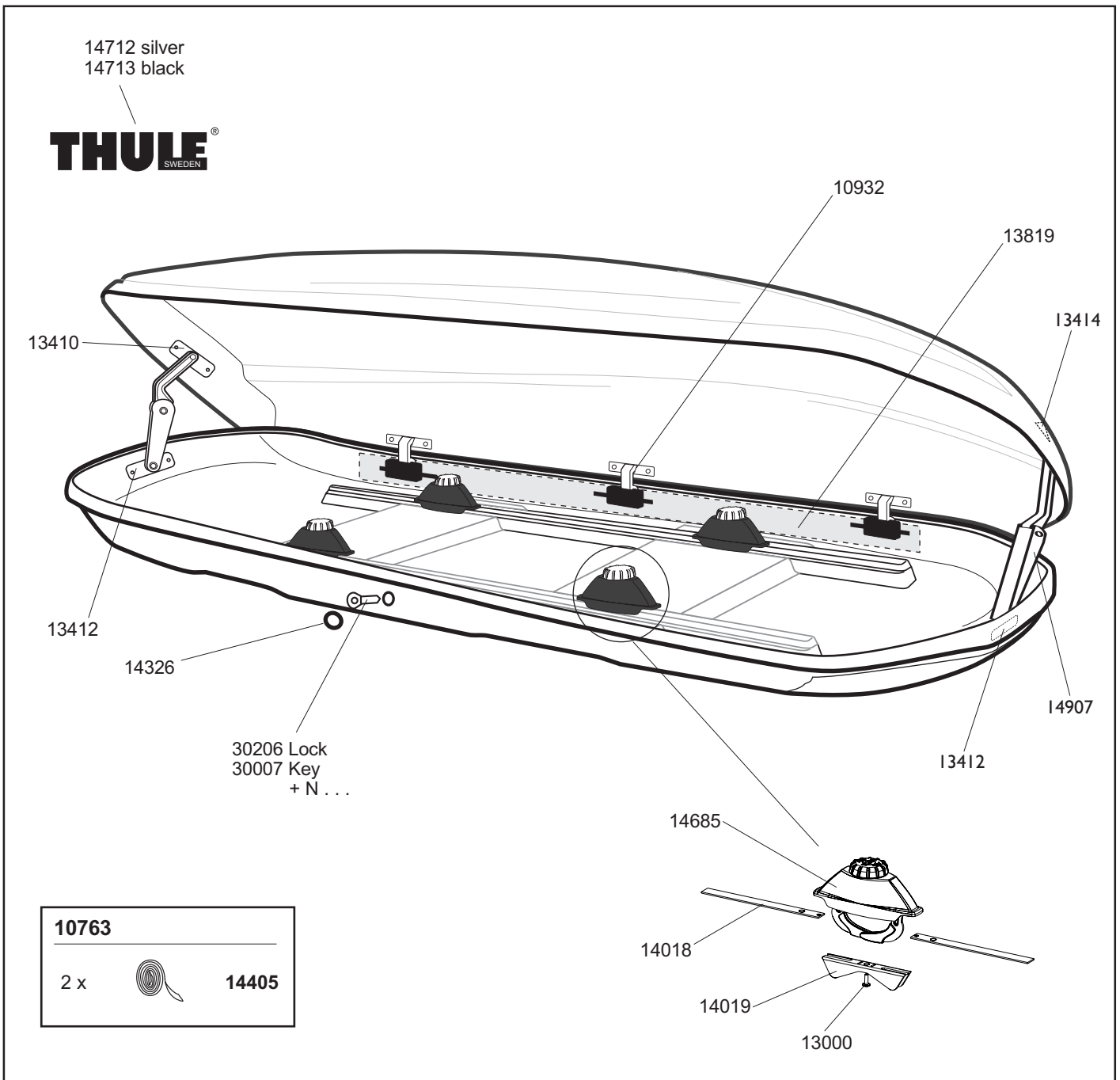
Load:

Maximum load: 75 kg. Observe
vehicle manufacturers
instructions and maximum roof
load.



- New mounting system Power-Grip.
- Base in cut out design.
- Base with diffuser technology.
- Dual-Side opening.
- Dual-Force lid lifters.
- Central locking with new key design.
- Special UV-protected and impact resistant box material.
- TÜV-GS/City crash approved.
- Ski carrier as separate accessory, art. no. 709.
- Thule One-key-system. 

THULE Spirit 820



Packaging

Product	EAN	Kg	L/W/H in cm
633	4002253603003	32	231/83/37
636	4002253603010	32	231/83/37
650	4002253603027	32	231/83/37
659	4002253603034	32	231/83/37

Vehicle	Pcs
Truck	96
20" Container	42
40" Container	84
40" High cube container	96