

THULE Ocean 200

690/622004 (Thule GmbH no.) 3071-450-842 (Thule AB no.)

5 *års garanti*
years warranty
Jahre Garantie
ans de garantie

Technical approval:
TÜV/GS DIN 75302 (Germany)

Materials:
Special UV-protected and impact resistant box material.

Colour:
Lid - Grey, structured
Bottom - Anthracite

Method of manufacture:
Vacuum forming

Assembly:
Easy-Snap-80 mm mounting system, hole pattern front and rear. Carrier bar distance 540-990 mm.


Dimensions/Weight:

Length:	1750 mm
Width:	820 mm
Height:	450 mm
Volume:	450 litres
Weight:	14 Kg

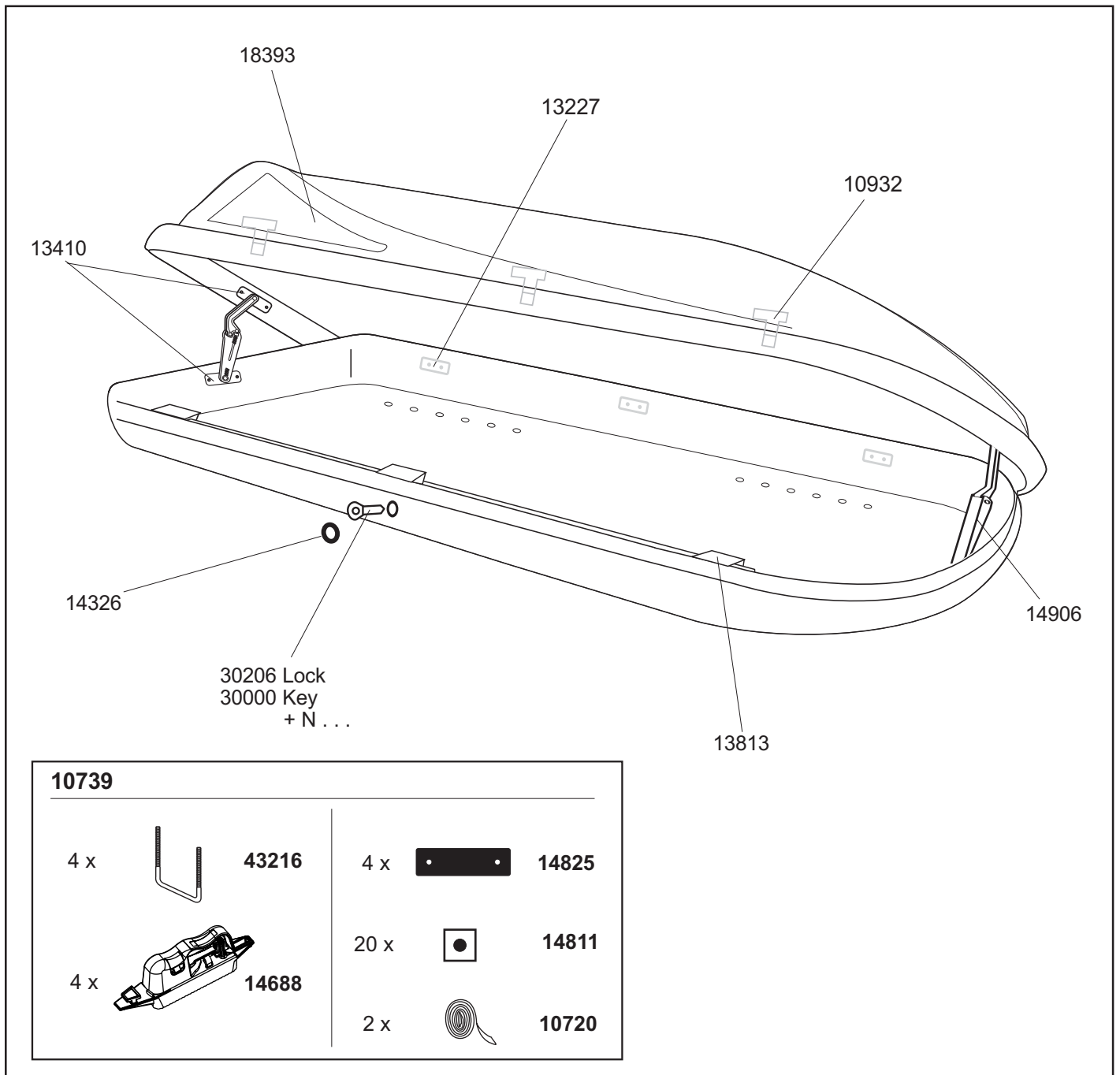
Load:

Maximum load: 50 kg. Observe vehicle manufacturers instructions and maximum roof load.



- Single side opening system.
- Special UV-protected and impact resistant box material.
- Dual-Force lid opener.
- TÜV/GS-approved.
- Central locking system.
- Easy-Snap-80 mm mounting system, hole pattern front and rear.
- Featuring THULE's One Key System. 

THULE Ocean 200



Packaging

Product	EAN	Kg	L/W/H in cm
690	4002253622004	20	178/86/47

Product	Packs/Trailer
690	100